

DO YOU HAVE TO REPORT?

Required information is reported monthly to the APMC on APMC 600-series forms. Your first step is to determine if you have to report. The following descriptions will assist you in determining your reporting responsibilities.

If you are a purchaser of marketable Alberta natural gas in the field, you are required to report on the APMC-601. Field purchases are those at receipt meter stations of NOVA or another gas transmission facility. Field purchases do not include those at storage facilities, interconnection points within NOVA or between transmission pipelines.

If you own and remove marketable Alberta natural gas from Alberta, you are required to report on the APMC-633 which records the total amount of gas removed from Alberta by the owner. If the gas is sold under Arm's Length Arrangements, the details of the transactions are reported on the APMC-631. If the gas is disposed of under Non-arm's Length Arrangements, the corresponding details are reported on the APMC-632. Persons submitting the APMC-631 and / or the APMC-632 must also complete the APMC-633.

If you are the owner of natural gas which is imported into Alberta, you are required to report this gas on the APMC-651.

If you are a Large-volume End User consuming gas within Alberta, you are required to report on the APMC-611. Your company is a Large-volume End User for the purposes of reporting on the APMC-611 if it meets all of the following conditions:

- ❖ Is capable of consuming 100,000 GJ of marketable gas per annum;
- ❖ Obtains any portion of its supply from sources other than a Designated Distributor; and
- ❖ Uses the gas in an industrial process, for commercial consumption, as shrinkage at a mainline straddle plant or as fuel gas for these uses.

If you are a Designated Distributor purchasing / selling marketable Alberta natural gas in Alberta, you are required to report on the APMC-621. You are also required to report on additional 600-series forms as follows:

- ❖ If you sell marketable Alberta natural gas to a Large-volume End User, you are required to report on the APMC-622;
- ❖ If you purchase marketable Alberta natural gas within Alberta under an Arm's Length Arrangement, you are required to report on the APMC-623; and
- ❖ If you purchase marketable Alberta natural gas from an end user's agent or end user (if no agent) under a regulated Buy/Sell arrangement, you are required to report on the APMC-624.

If you are a Buy/Sell end user's agent or end user (if no agent) who purchases gas for resale to a Designated Distributor under regulated prices, you are required to report on the APMC-625.

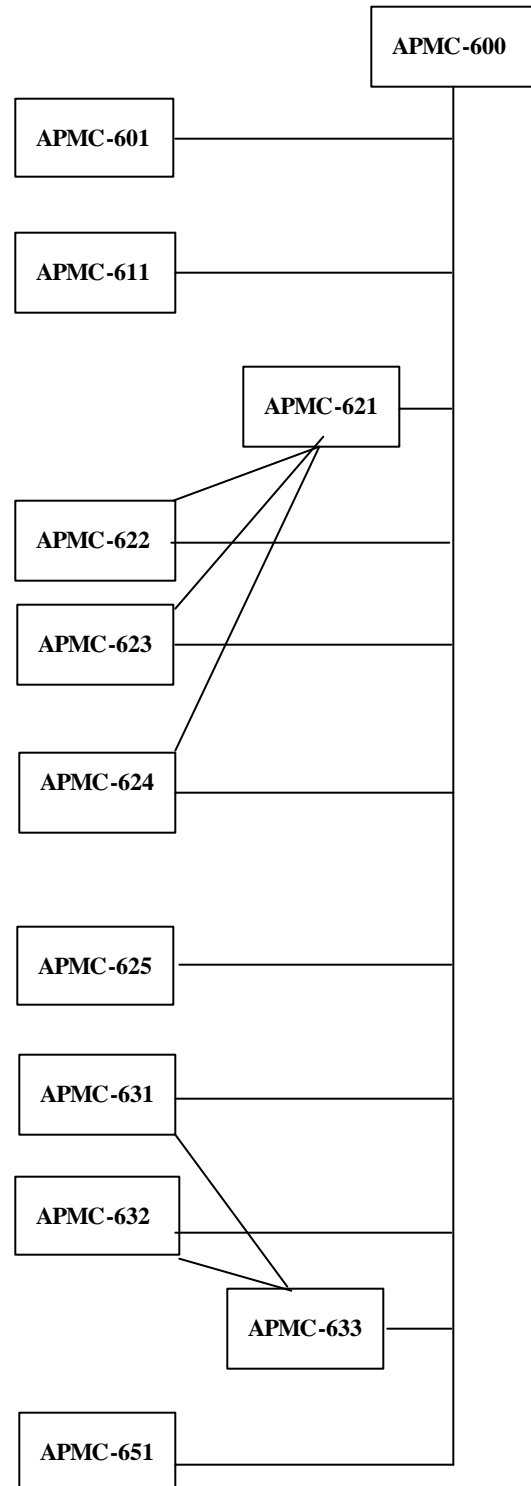
All persons must submit the **APMC-600 form, Summary of Marketable Natural Gas**, with all submissions of the APMC 600-series forms.

REPORTING INSTRUCTIONS FOR EACH OF THE APMC-600 SERIES FORMS ARE PROVIDED WITHIN THE APPROPRIATE SECTION OF THIS GUIDE.

DO YOU HAVE TO REPORT?

APMC 600-SERIES FORMS AT A GLANCE

- ❖ Summary of Marketable Natural Gas
- ❖ Marketable Alberta Natural Gas Purchased in the Field
- ❖ Marketable Alberta Natural Gas Consumed by Large-volume End Users within Alberta and Supplied from Non-Designated Distributor Sources
- ❖ Summary of Marketable Alberta Natural Gas Supplied to and Sold by a Designated Distributor within Alberta
- ❖ Marketable Alberta Natural Gas Sold by a Designated Distributor within Alberta to Large-volume End Users
- ❖ Marketable Alberta Natural Gas Purchased by Designated Distributors within Alberta under Arm's Length Arrangements
- ❖ Marketable Alberta Natural Gas Purchased by Designated Distributors under Buy/Sell Arrangements within Alberta under Regulated Prices
- ❖ Marketable Alberta Natural Gas Purchased by Buy/Sell End Users' Agents or End Users (if no Agents) within Alberta under Regulated Prices
- ❖ Marketable Alberta Natural Gas Removed from Alberta by the Owner and Sold under Arm's Length Arrangements
- ❖ Marketable Alberta Natural Gas Removed from Alberta by the Owner and Disposed of under Non-arm's Length Arrangements
- ❖ Marketable Alberta Natural Gas Removed from Alberta by the Owner
- ❖ Natural Gas Imported into Alberta by the Owner



DO YOU HAVE TO REPORT?

REPORTING CALENDAR FOR THE APMC 600-SERIES FORMS

This calendar indicates the reporting deadlines for all reports for the period January 1996 through December 1997. Reports must arrive at the APMC offices no later than 12:00 midnight, Calgary time, on the last day of the month following the delivery month. If the last day of the month falls on a weekend or holiday and the APMC offices are closed, then the reports

must arrive at the APMC offices no later than 12:00 midnight, Calgary time, on the first business day of the second month following the delivery month.

Subsequent calendars, or any changes in this calendar, will be issued in accordance with the APMC mailing list. Contact Gas Valuation to ensure you are on the mailing list.

REPORTING DEADLINES		
DELIVERY MONTH	1996	1997
JANUARY	February 29, 1996	February 28, 1997
FEBRUARY	April 1, 1996	March 31, 1997
MARCH	April 30, 1996	April 30, 1997
APRIL	May 31, 1996	June 2, 1997
MAY	July 2, 1996	June 30, 1997
JUNE	July 31, 1996	July 31, 1997
JULY	September 3, 1996	September 2, 1997
AUGUST	September 30, 1996	September 30, 1997
SEPTEMBER	October 31, 1996	October 31, 1997
OCTOBER	December 2, 1996	December 1, 1997
NOVEMBER	January 2, 1997	January 2, 1998
DECEMBER	January 31, 1997	February 2, 1998

DO YOU HAVE TO REPORT?